

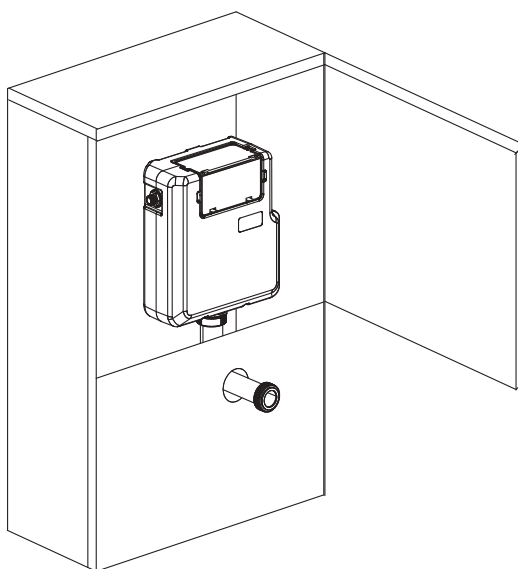
# USER MANUAL



Thank you for choosing Better Bathrooms.  
Please read this manual before installing your product  
and keep for future reference.

**better  
bathrooms**

## Concealed Cistern MANCONCIS Push Button ARIBBMPB, ARICHMPB, ARIMBMPB



Please note: Image is for illustrative purposes only and may differ slightly to the actual product

- **Multi-person assembly**
- **Tools required**
- **We always recommend using professional tradespeople to install your product**

**V1 23.7.23**

# Congratulations on your purchase

*And welcome to our growing gang of savvy shoppers*

We're on a mission to bring you extraordinary bathroom products, for less. From modern to traditional style ceramics, plus the gorgeous fixtures, fittings and furniture to match. So, you can fall in love with your space every single day.

As one of the UK's largest independent bathroom stores, we've received countless awards; including the National Business Awards UK, the Digital Entrepreneur Awards and being placed on The Sunday Times Fast Track 100.

We hope your new product goes above and beyond your expectations. However, should any problems occur, please:

- log in to your account and contact our customer services team via your self-serve portal – [betterbathrooms.com/Account/Login](https://betterbathrooms.com/Account/Login)
- contact us via [betterbathrooms.com/contact-us](https://betterbathrooms.com/contact-us)







## Important information

- Please read these instructions thoroughly and retain for future reference.
- Manufactured to BS EN14055 WC and urinal cisterns.
- All installation work must be carried out to comply with the Water Bylaw Regulations.
- The installation should be designed to allow access for maintenance.

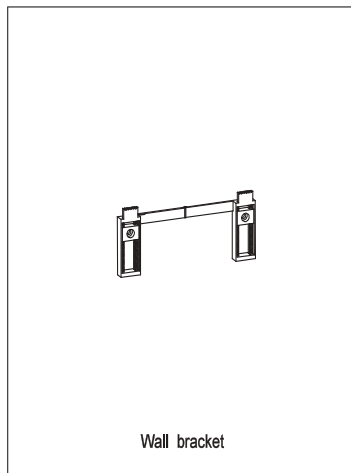
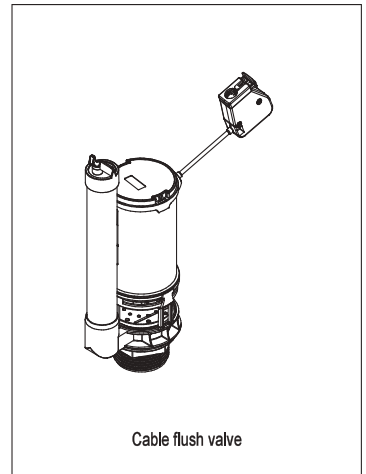
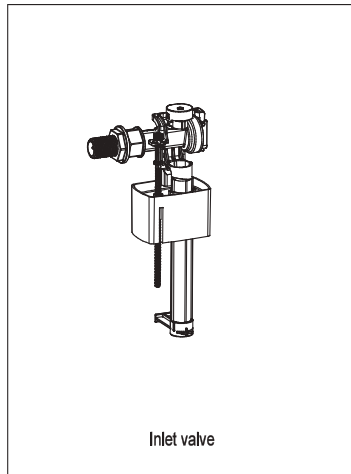
## Contents:

● Accessories List	3
● Part List	3
● Cistern Dimensions	4
● Technical Specification	4
● Installation Steps	5-9
❑ Installation of Wall Bracket	5
❑ Installation of Tank	5
❑ Cutting of Flush Bend	6
❑ Installation of Water Inlet Connector	6
❑ Installation of a Front Access Panel	7
❑ Installation of a Top Access Panel	7
❑ Installation of Button	8-9
❑ Installation of Toilet	9
● Trouble Shooting	10
● Maintenance	10-13
● Cleaning	13

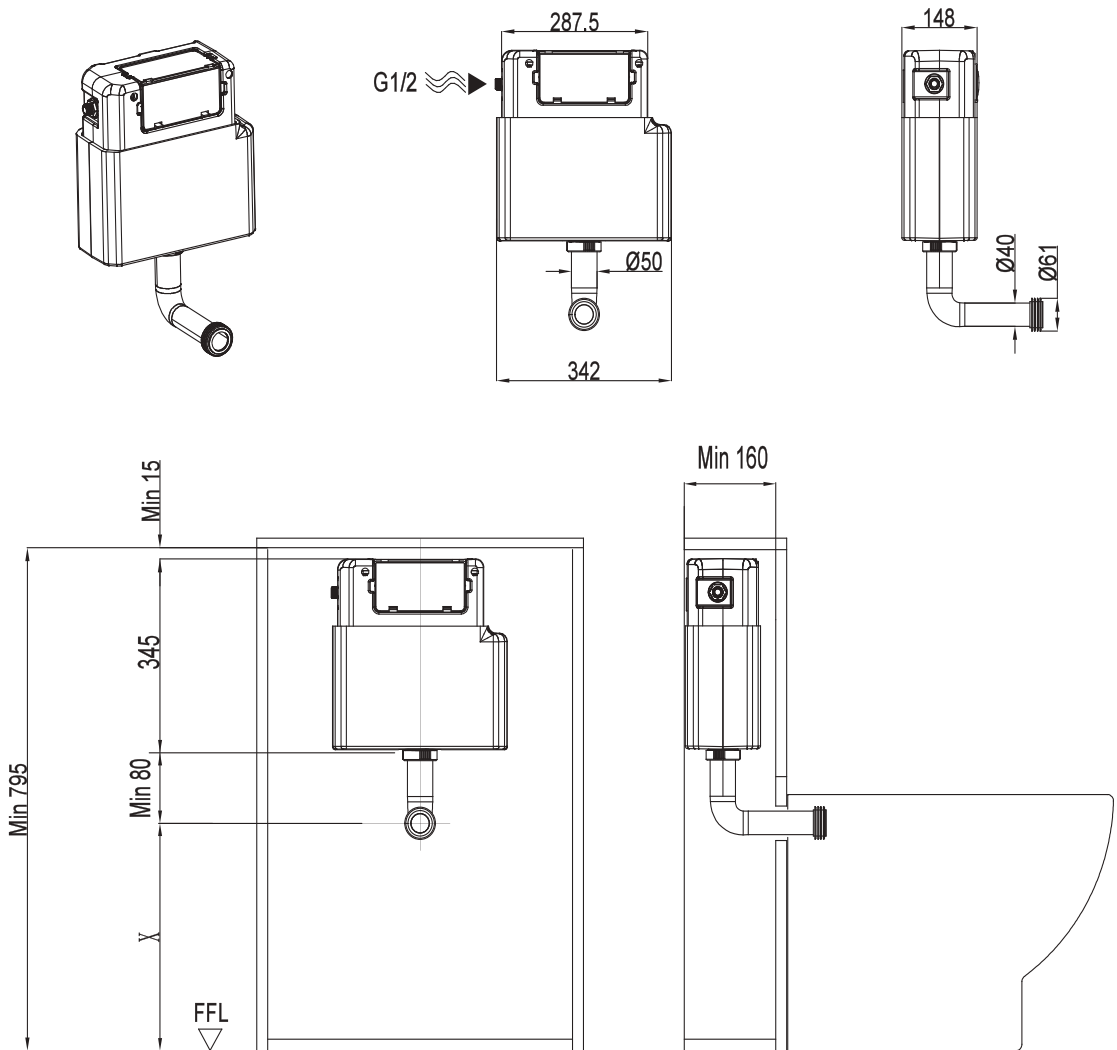
## Accessories list

Accessories list	Accessories name	Specification	Quantity	Accessories list	Accessories name	Specification	Quantity
	Flush bend nut		1		Wall Plug		2
	Seal		1		Cistern fixing screw	ST4. 2*35mm	2
	Flush bend		1		Pan seal cone		1

## Parts list



## Cistern dimensions

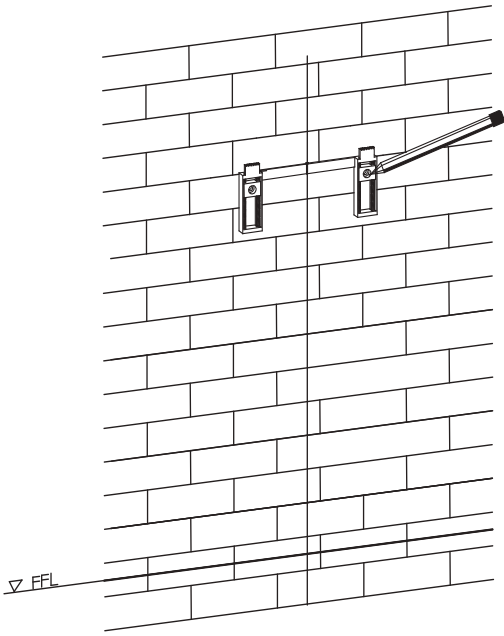


## Technical specifications

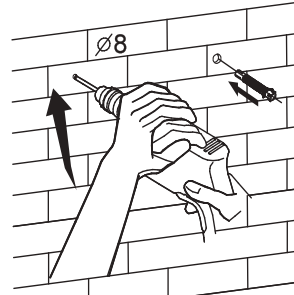
Name	Manual Concealed Cistern	
Type	MANCONCIS	
Technical specifications	Ambient temperature	3-40°C
	Pressure of supply water	0.07-0.75Mpa
	Operating temperature	3-40°C
	Dimension	342*345*148 (Left hand inlet)

# Installation steps

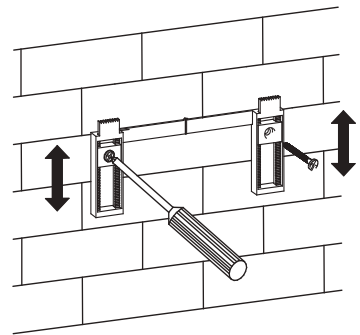
## 1. Installation of wall bracket



Mark fixing points of the wall bracket

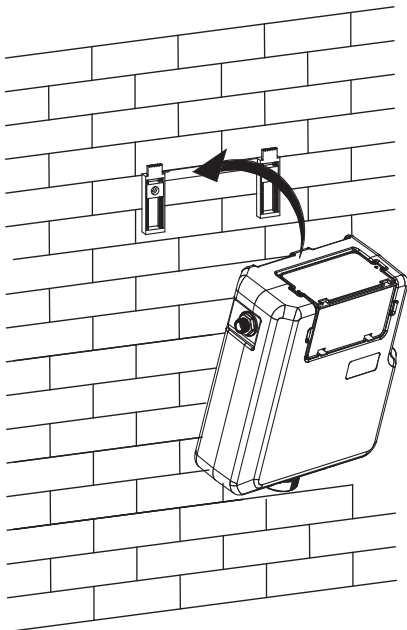


Drill holes using a 8mm drill bit (not supplied) and insert wall plugs. (Note: Before drilling always check for pipes and cables) ↓

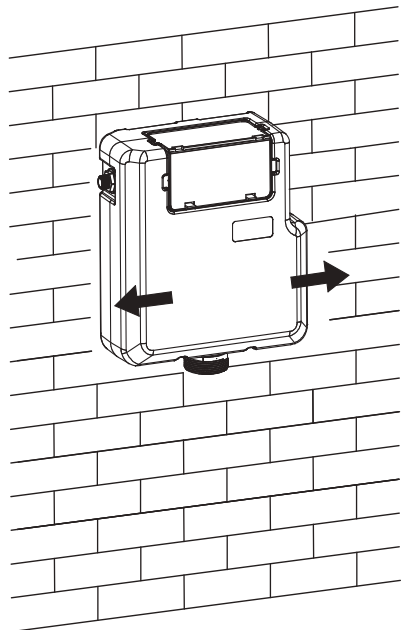


Slightly adjust the height of the wall bracket to horizontal position and lock it tightly

## 2. Installation of tank

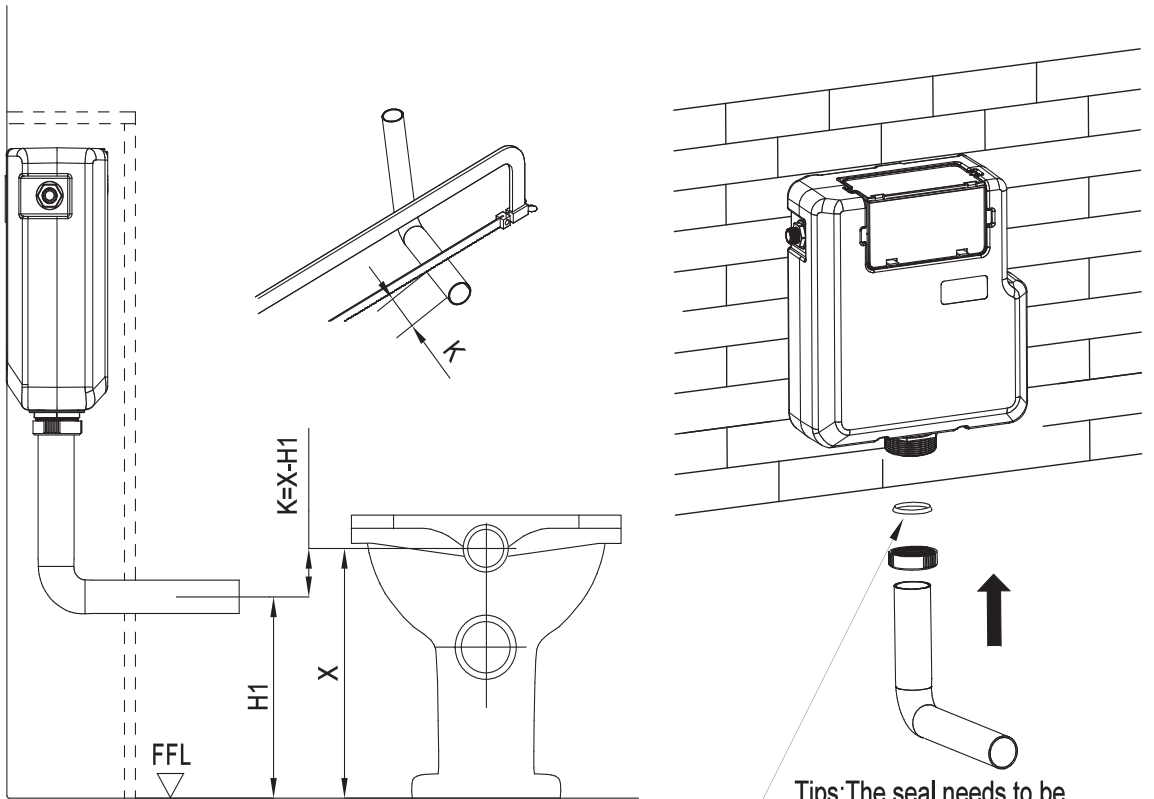


Hook the cistern tank onto the bracket via the slots located on the rear of the tank



Slide the tank so that it is central with the unit space

### 3. Cutting of flush bend

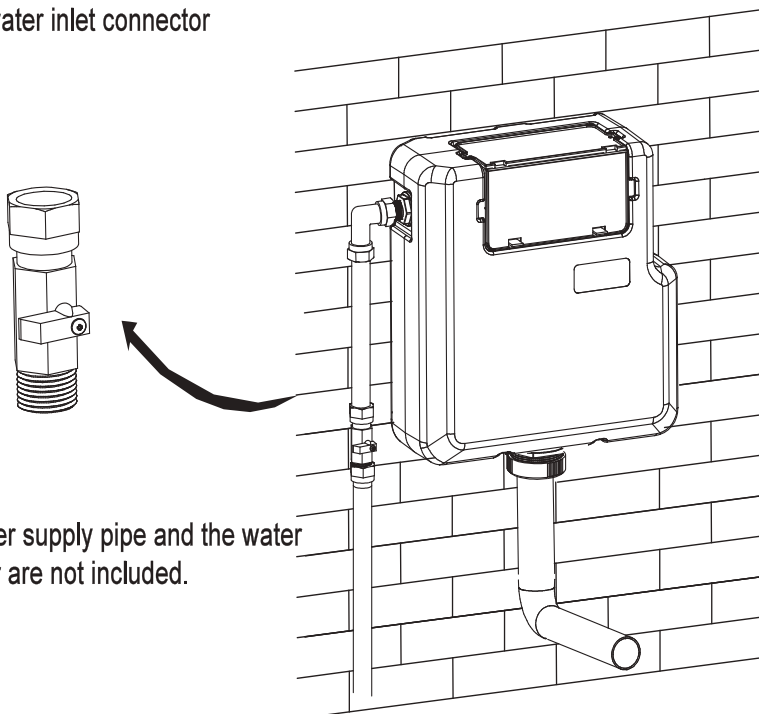


Cut the flush bend to size and attach to the cistern, using the appropriate fittings. Ensure alignment to pan from cistern tank is square both vertically and horizontally to allow seal to function correctly

Tips: The seal needs to be installed in a horizontal position to avoid water leakage

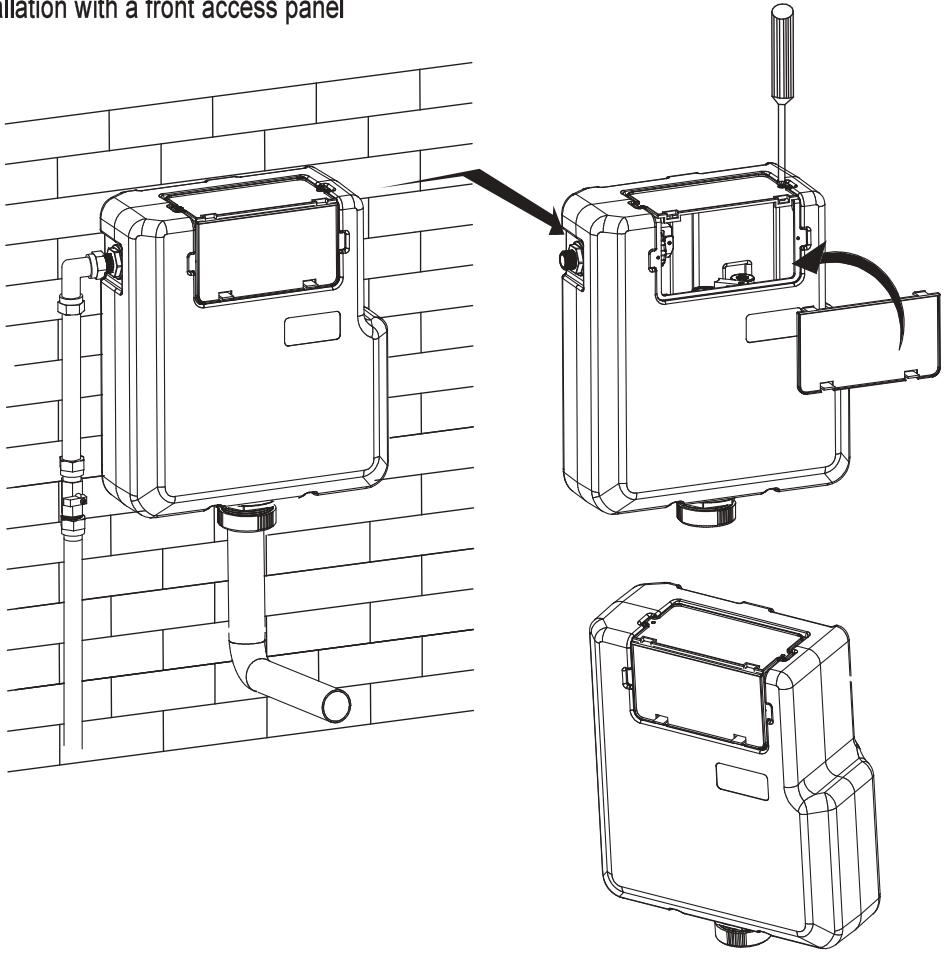


### 4. Installation of water inlet connector

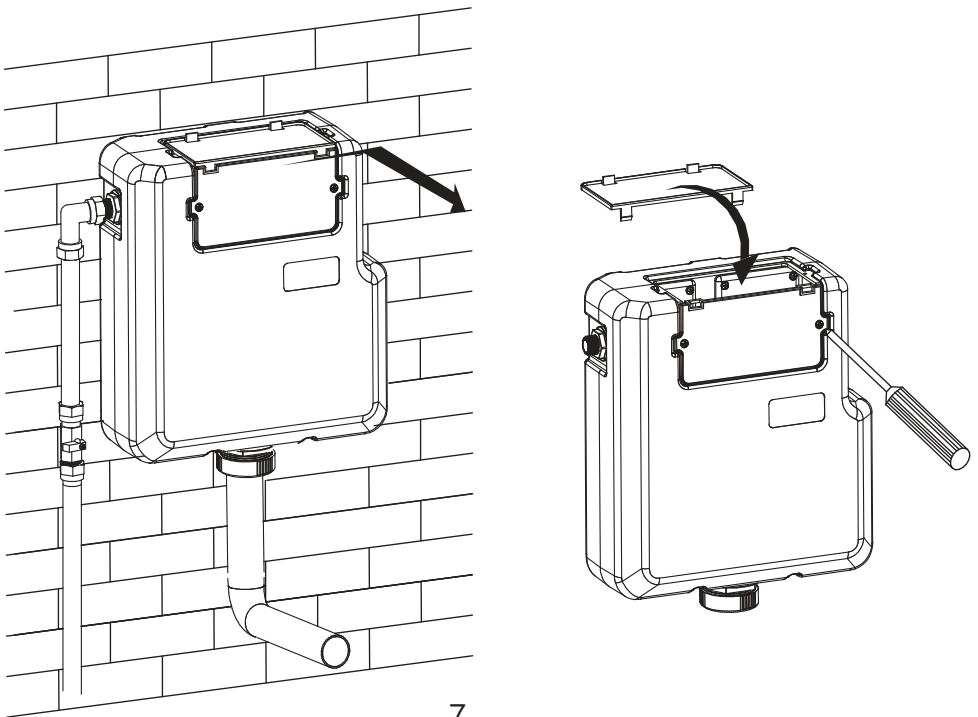


Note: The water supply pipe and the water inlet connector are not included.

5. Installation with a front access panel



6. Installation with a top access panel

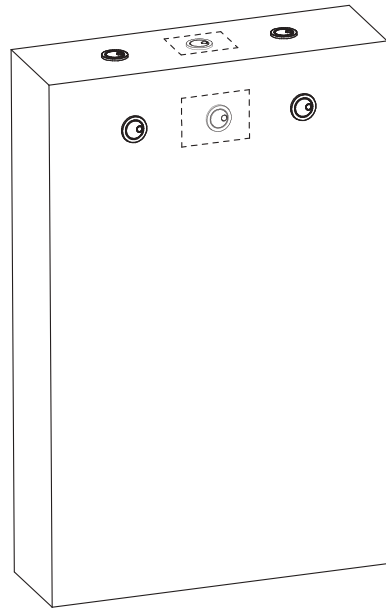




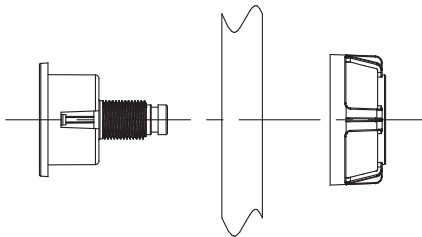
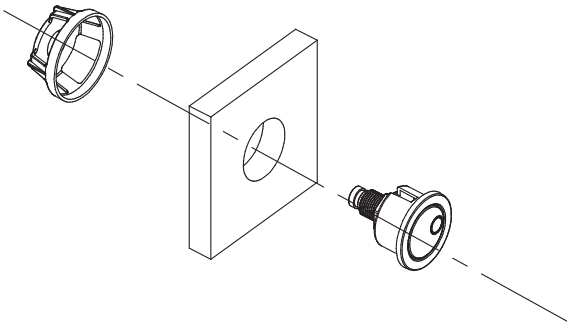
## 7. Installation of button



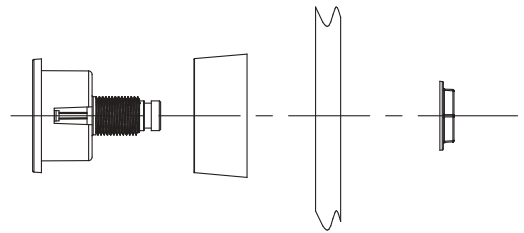
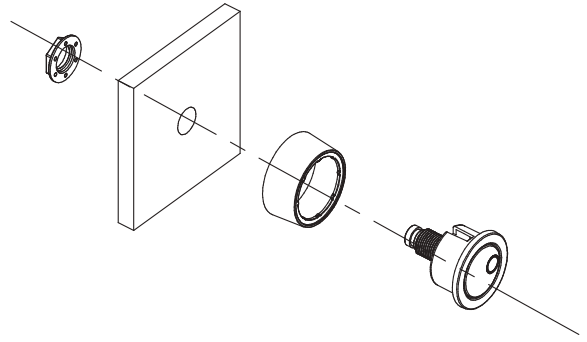
Notice: The push button can be installed on the top and front panel of the vanity as shown picture except the square marked areas due to the space limitation.



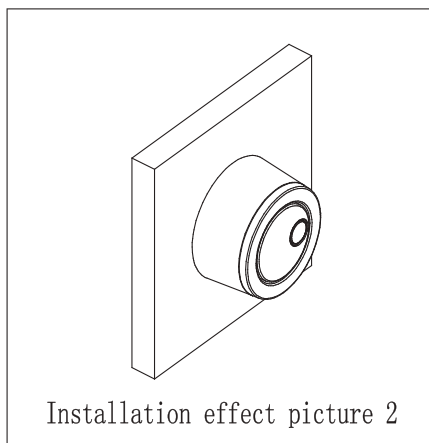
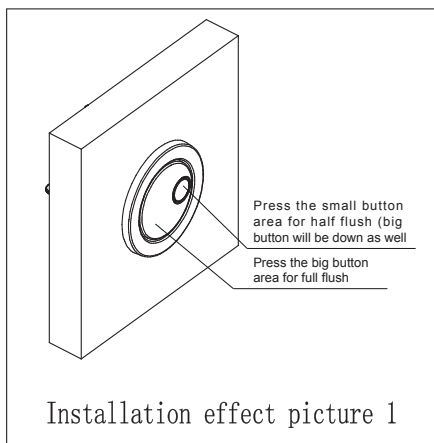
### Two different installation methods



The maximum thickness of furniture is 17mm ;  
hole diameter is  $\text{Ø}39\text{mm}$

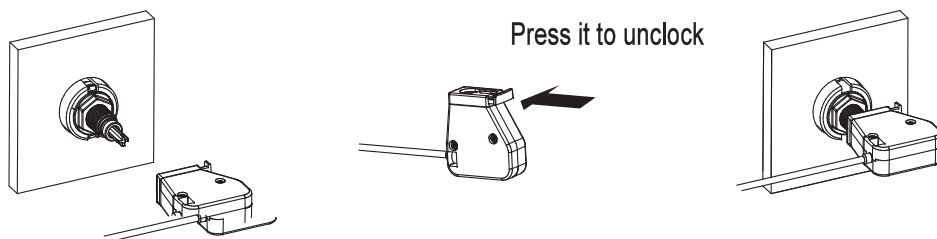


The maximum thickness of furniture is 12mm ;  
hole diameter is  $\text{Ø}17\text{mm}$



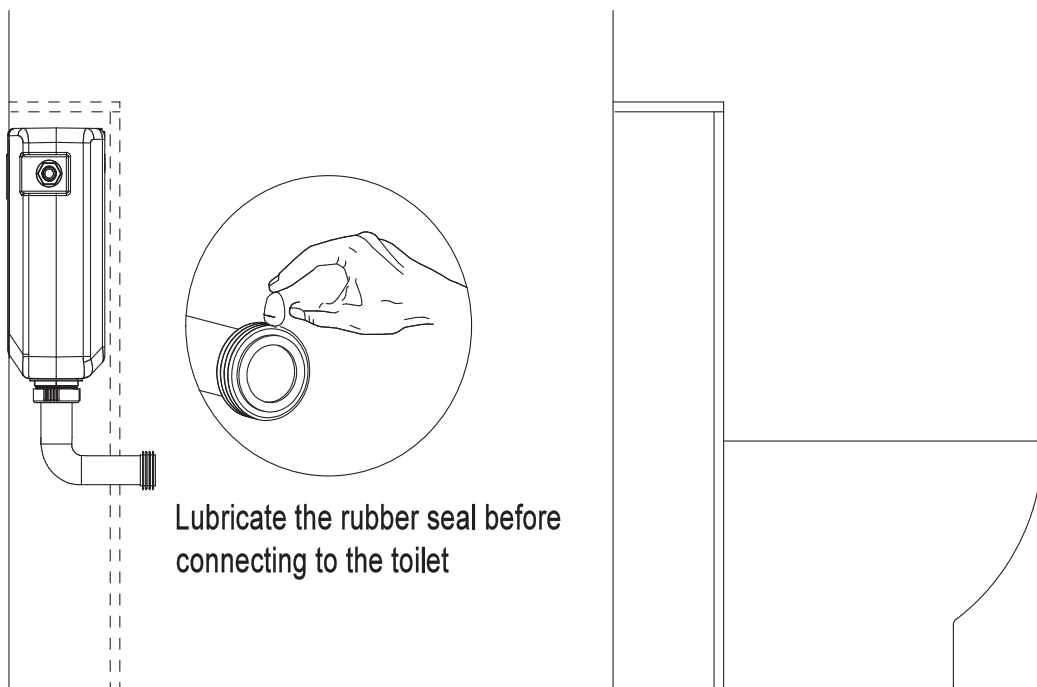
---

### Installation of button box



---

### 8. Installation of toilet



# Trouble Shooting

For all troubleshooting solutions, please refer to the Maintenance section.

## Insufficient or too much water entering the cistern tank

1. Adjust the inlet valve using the adjustment screw.

## Water filling into the cistern slowly

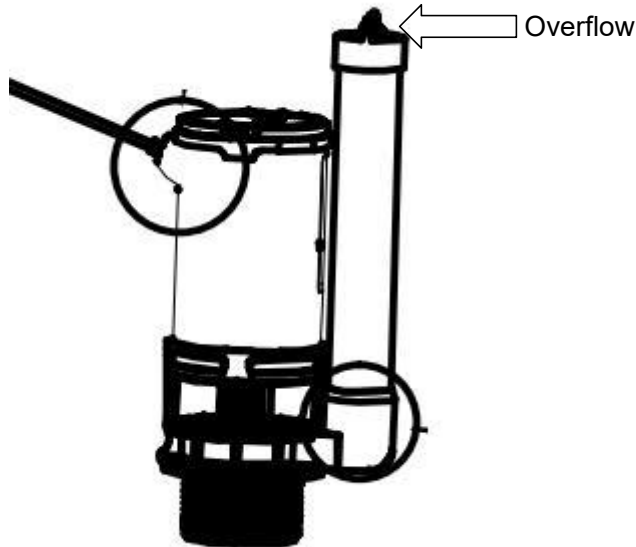
1. If the water flows into the cistern slowly, the washer on the inlet valve could be blocked and may require cleaning.
2. Remove and run under warm water and clean using a small brush to remove any blockage, if this does not resolve the issue, check the water supply to the cistern.
3. If this is running freely, replace the inlet valve.

## Tank fills correctly but insufficient water leaving the tank

1. Adjust the flush valve volume.

## Water running into the pan continually after flushing

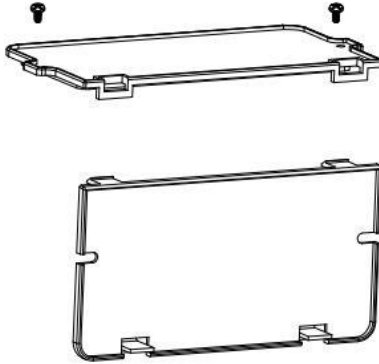
1. Establish if the water level in the cistern is reaching the overflow on the syphon, if yes, replace the inlet valve. If it doesn't, replace the upper section of the syphon.



# Maintenance

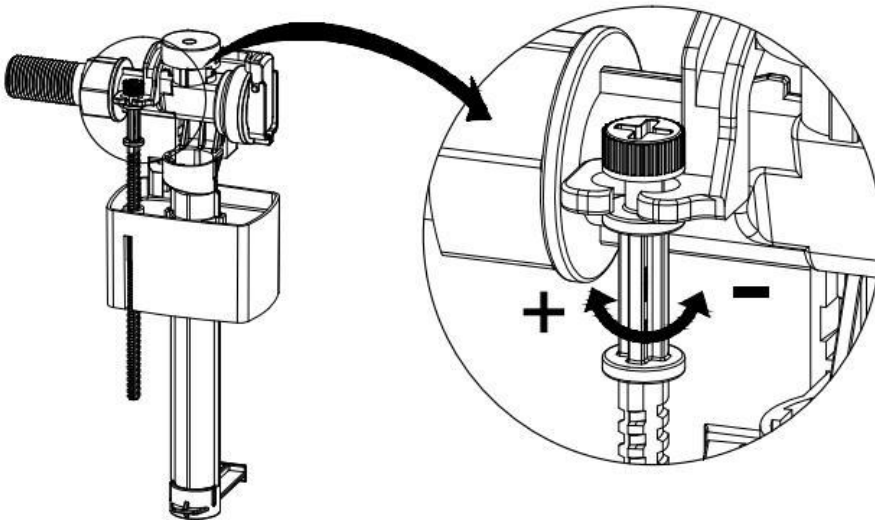
For all maintenance measures below, you will need to gain access to the cistern tank by removing panels/tops on your WC unit, (this access will differ depending on your WC unit), and for the water supply to be turned off.

Once you have gained access, remove the screws in the tank face/lid and this will release the second section of the face/lid by unclipping from the tank.



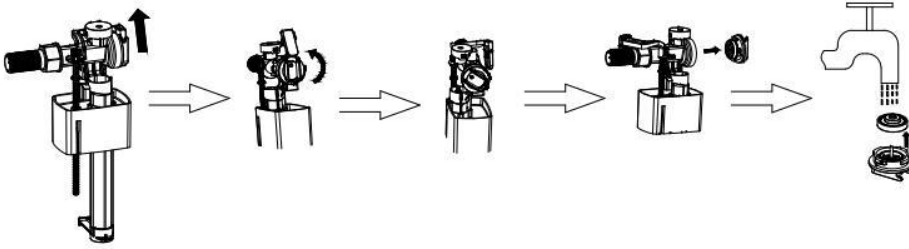
### Inlet valve adjustment

Twist the adjustment screw as shown in the direction required.



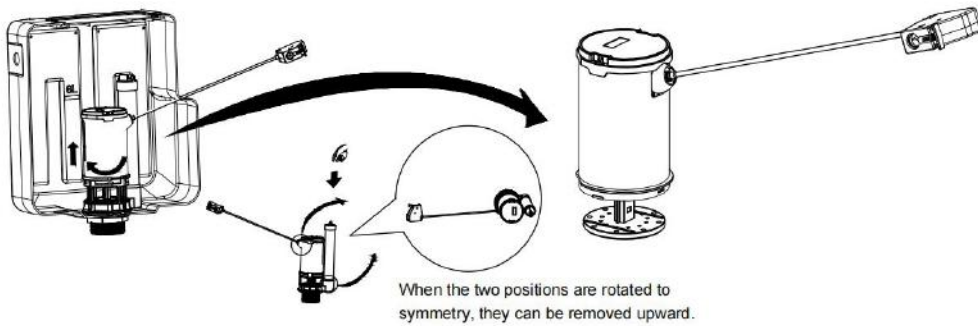
### Inlet valve washer cleaning

- Unscrew the washer section from the inlet valve.
- Place the washer under warm running water and brush to remove any blockage.
- Then replace and tighten back into position.

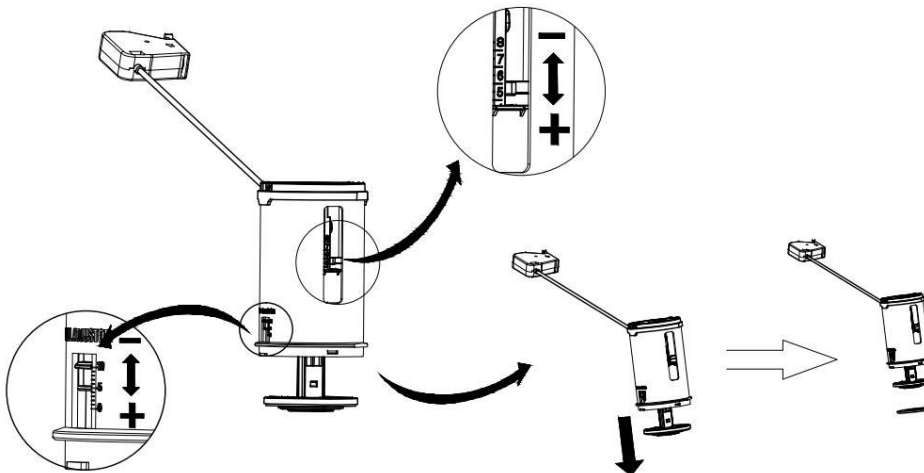


### Flush valve removal and adjustment

- The flush valve is made of two parts, the bottom section which is secured to the cistern tank and the upper section which can twist and pull away from the bottom section.
- During this maintenance the bottom section can remain in position



- To adjust the volume of water leaving the tank, move the slider as shown.
- If you need to remove the flush valve to check the washer or remove the washer for cleaning, take the flush valve out and take the washer down as the process showed below.



### Push button operation failure

- Take the button down as the steps below, normally press the half flush & full flush, observe whether the button can bounce back or not. If not, please replace the button.



## Cleaning

To maintain the surface of the push button surface, wipe with a clean damp cloth and wipe dry, do not use any abrasive cleaning agents or materials.

If any harsh chemicals come into contact with the surface of the product, rinse and wipe clean immediately.



***For more information***

- visit [betterbathrooms.com](http://betterbathrooms.com)
- email [customerservices@buyitdirect.co.uk](mailto:customerservices@buyitdirect.co.uk)
- call 0330 390 3062
- write to Trident Business Park, Neptune Way, Huddersfield, HD2 1UA

**better**   
**bathrooms**

Part of the BuyItDirect Group